

RP5500 Portable Generator



5500 W Running | 6875 W Starting

Features

- Reliable power when you need it for home, work and play
- Easy to set up and operate
- Built tough with a heavy-duty frame, never-flat wheels and a padded, double-hinged, locking handle
- Enhanced safety features like automatic low-oil shutdown, covered wiring and added GFCI protection
- Single-sided, LED illuminated control panel
- All-steel construction



Because of continuing improvements, actual product may differ slightly from this photo.

Control Panel



RP5500 Portable Generator



Specifications

ENGINE	
Starting Method	Recoil
Run Time @ 50% Load	15 hrs
Idle Control	-
Fuel Tank Nominal Capacity	7.9 gal / 30 L
Fuel Tank Material	Metal
Fuel Type	Gasoline
Fuel Gauge	Dial Gauge
Engine Displacement	300 cc
Engine Type	OHV
Engine Speed	3600 RPM
Lubrication Method	Splash
Recommended Oil	SAE 30 / 10W-30
Oil Capacity	1.1 qt / 1 L
Region Certifications	EPA, CARB, CSA
Shutdown Method	Automatic Low Oil Level

ELECTRICAL	
Running Power	5500 Watts
Starting Power	6875 Watts
AC Output	120V / 240V @ 60 Hz
DC Output	-
Total Harmonic Distortion (THD)	-
Receptacles	2x 5-20R GFCI 1x L14-30R (Twist Lock)
Automatic Voltage Regulation (AVR)	Yes
Battery Type	-

EXTRA FEATURES	
Illuminated Control Panel	Yes
Handle Style	Padded, Double Hinged
Wheel Type	Never-Flat
Indicator Lights	-
USB	-

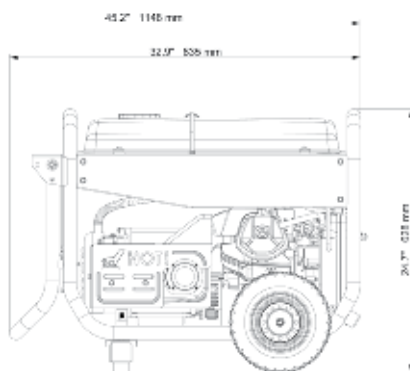
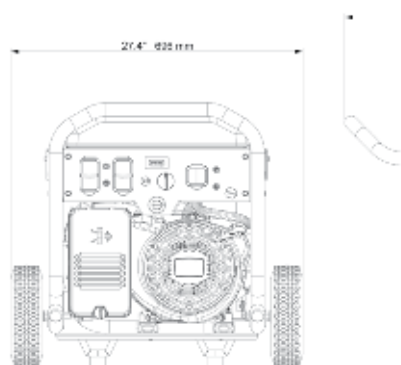
WARRANTY

Standard 2-year limited, extended 3-year limited when registered within 30 days

Dimensions and Weights

ASSEMBLED	
Height	24.7 in / 628 mm
Width	27.4 in / 696 mm
Length	32.9 in / 835 mm
Extended Length	45.2 in / 1148 mm
Unit Weight (EPA/CSA)	176 lbs / 80 kg
Unit Weight (CARB)	178 lbs / 81 kg

CARTON	
Height	23.2 in / 590 mm
Width	22.6 in / 575 mm
Length	34.4 in / 875 mm
Shipping Weight (EPA/CSA)	189 lbs / 85 kg
Shipping Weight (CARB)	190 lbs / 86 kg



Accessories

Large Protective Cover (502-3706)



RP5500 Service Kit (502-3703)



Multi Connector Power Cord (25FT)
(502-3692)



CATERPILLAR®

© 2017 Caterpillar. All Rights Reserved.
CAT, CATERPILLAR, their respective logos, "Caterpillar Yellow," the "Power Edge" trade dress, as well as corporate and product identity used herein, are trademarks of Caterpillar and may not be used without permission.



For more information:
cat.com/homeandoutdoorpower

RIMCO LLC

Avenida John F. Kennedy, Km 3.7 San Juan, PR
Tel: 787.792.4300 Email: info@rimcocat.com

LEHQ0014-01

Registrar aqui:
cat.com/portablepower
844-797-6387